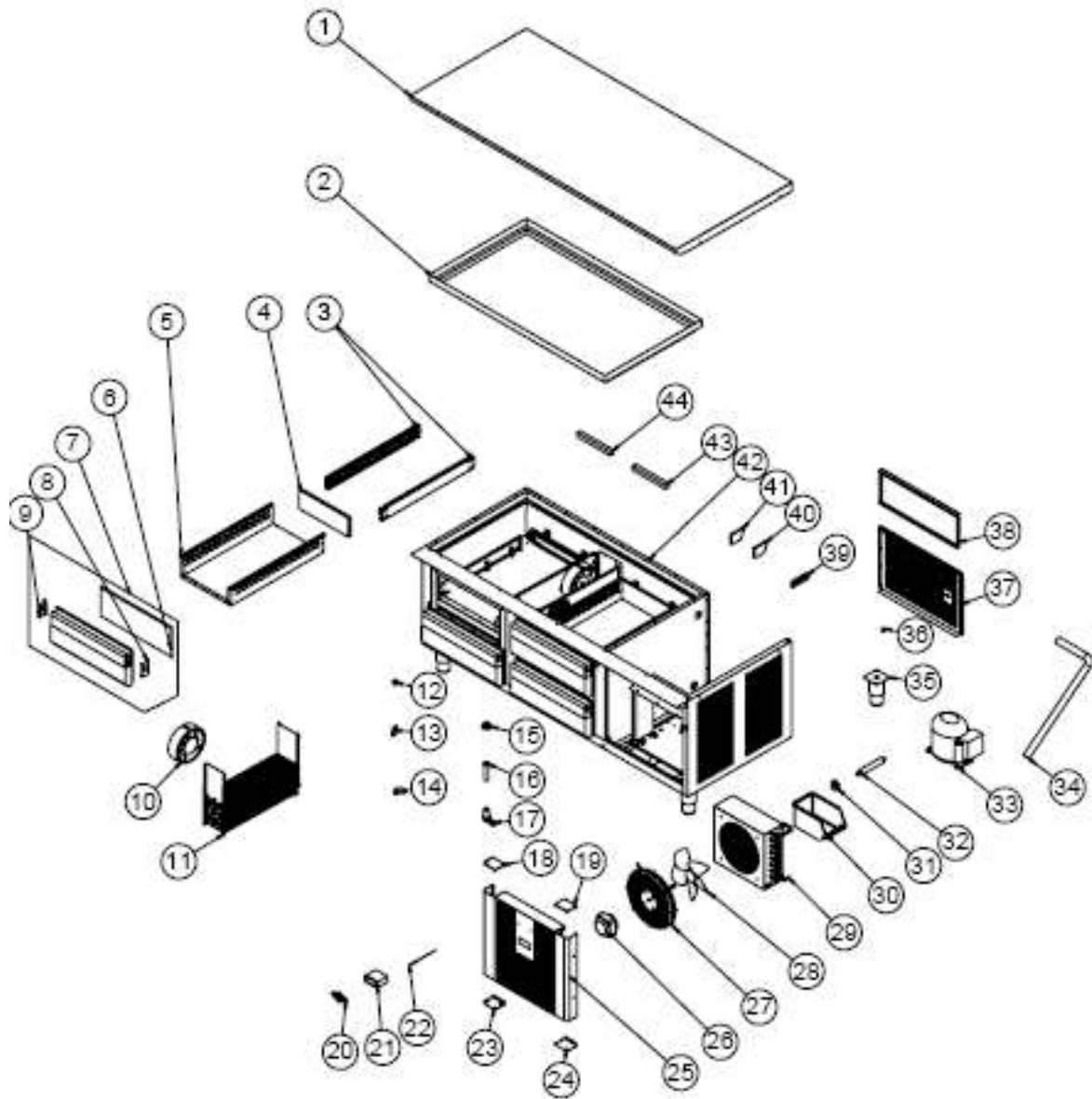


БАЗА МОРОЗИЛЬНАЯ TATRA TUSF 1600



БАЗА МОРОЗИЛЬНАЯ TATRA TUSF 1600

1	TOP TABLE SHEET	YSC-ERK.SA16-LZ-0022	
2	UPPER PAN SHEET	YSC-ERK.SA16-PN-0142	
3	DRAWER SLIDE	ERK.M.MUH-005	
4	DRAWER BOILER ADDITIONAL SHEET	YSC-ERK.SA16-PN-0164	
5	DRAWER BOILER SHEET	YSC-ERK.SA16-PN-0165	
6	GASKET	M.CNT-ERK-078	
7	DRAWER	ARA-ERK.SETA-0001-ALM-T	
8	HAND PLASTIC BOTTOM	M.PLS-ERK-030	
9	HAND PLASTIC TOP	M.PLS-ERK-029	
10	FAN	ERK.M.ELK-HVL-KFN-001	
11	EVAP	M.SOG-EVP-025	
12	MAGNET	M.MIK-SRT-ERK-001	
13	HOLDER PLASTIC	M.ENJ-ERK-PLS-009	
14	HINGE	M.ENJ-ERK-PLS-010	
15	NUT	M.ENJ-ERK-PLS-024	
16	PIPE	M.ENJ-ERK-PLS-002	
17	EXPENSE PLASTIC	M.ENJ-ERK-PLS-030	
18	TOP PLASTIC LEFT	M.ENJ-ERK-PLS-111	
19	TOP LEFT PLASTIC	M.PLS-ERK-031	
20	METAL LABEL	M.AKS-OZL-MTL-002	
21	THERMOSTAT	M.ELK-EDM-DGT-043	
22	PROP	ERK.M.ELK-EDM-DGT-012	
23	BOTTOM PLASTIC LEFT	M.ENJ-ERK-PLS-112	
24	BOTTOM LEFT PLASTIC	M.PLS-ERK-032	
25	ENGINE DOOR SHEET	YSC-ERK.SA16-PN-0116	
26	FAN MOTOR	ERK.M.ELK-MTR-FMT-002	
27	FAN CIRCLE WIRE	ERK.M.MUH-001	
28	WING	M.ELK-HVL-FKN-002	
29	CONDENSER POSITIVE (+)	M.SOG-KDS-032	
30	TOOLS	M.PLS-ERK-038	
31	HANDCUFF	M.PLS-ERK-003	
32	DRAYER	ERK.M.SOG-DRY-001	
33	COMPRESSOR	M.SOG-KMS-037	
34	HOSE	HTS-HRT-001	
35	FOOT	ERK.M.AKS-AYK-INX-001	
36	SIBO	M.SOG-MUH-001	
37	ENGINE BACK COVER SHEET	YSC-ERK.SA16-PN-0134	
38	REAR SHUTTER SHEET	YSC-ERK.SA16-PN-0133	
39	PROP PLASTIC	M.ENJ-ERK-PLS-017	
40	TERMINAL	M.ELK-KLM-013	
41	TERMINAL	M.ELK-KLM-018	
42	CHASSIS	-	
43	COVER RESISTANCE	M.ELK-RZS-OZL-002	
44	RESISTANCE	M.ELK-RZS-OZL-010	